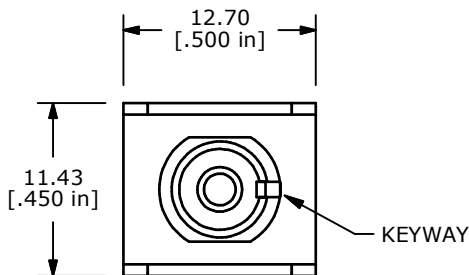


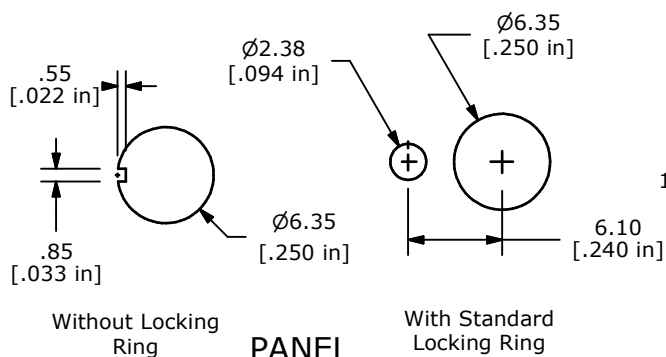
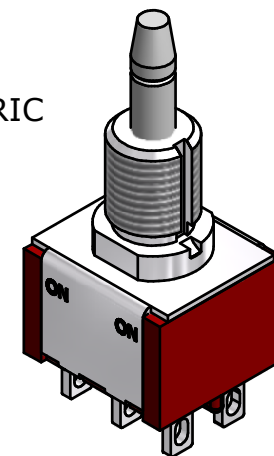
CIRCUIT: DPDT

SWITCH FUNCTION	
POS. 1	POS. 2
ON	ON
1-2, 4-5	2-3, 5-6

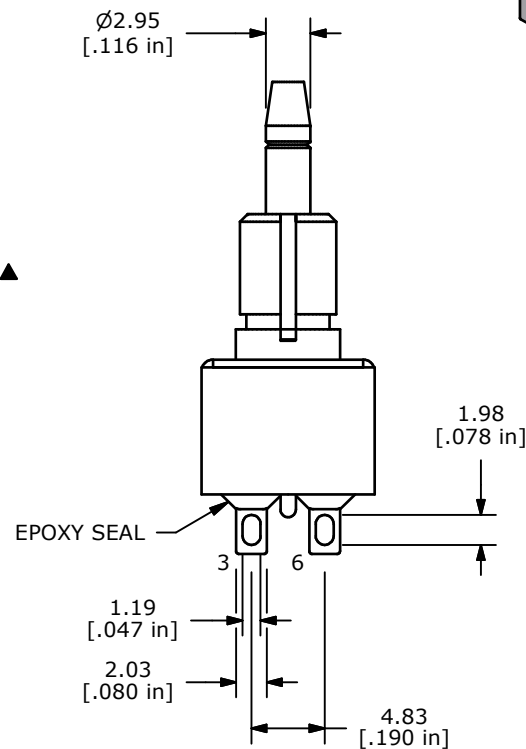
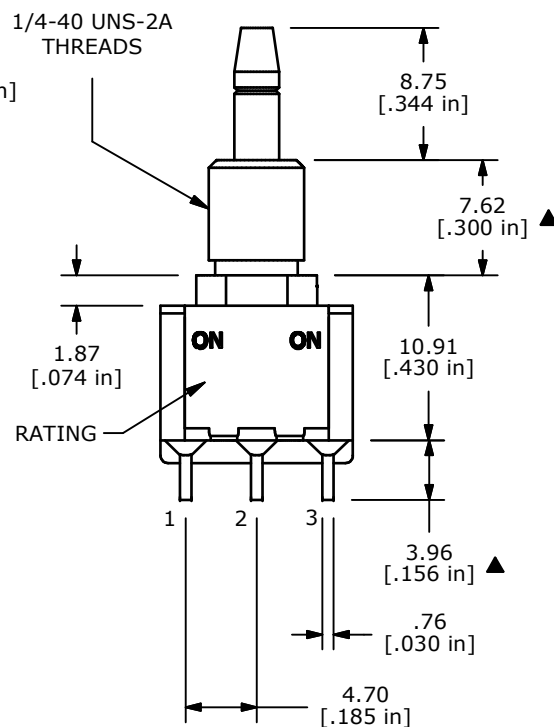
() = MOMENTARY



ISOMETRIC



PANEL



NOTE:

1. ALL DIMENSIONS IN MM [INCH]
2. GENERAL TOLERANCE: X.X=±0.4
X.XX=±0.25
3. TERMINAL NUMBERS FOR REF ONLY
- ▲ 4. PLATING MATERIAL: SILVER
5. RATING: 1A @250VAC, 3A @120 VAC OR 28 VDC
6. CONTACT RESISTANCE: 20 Milli-OHMS MAX.
7. LIFE EXPECTANCY: 50,000 MAKE-AND-BREAK CYCLES AT FULL LOAD.
8. INSULATION RESISTANCE: 1,000 Mega-OHM MIN.
9. DIELECTRIC STRENGTH: 1,000 V RMS @SEA LEVEL.
10. OPERATING TEMP.: -30°C to 85°C
11. ▲ DENOTES CRITICAL PARAMETER.
12. 2002/95/EC (ROHS) COMPLIANT
13. HARDWARE TO BE SHIPPED BULK
T100000 - HEXNUT - QTY 2
T100011 - LOCKWASHER - QTY 1
T100015 - LOCKRING - QTY 1

C	21588	CORRECT TERMINAL SIZE	9/18/14	EBP
B	21562	Changed Circuit Function	8/29/14	rc
A	19428	RELEASED FOR PRODUCTION	11/11/10	BLR
REV	PCR NO	DESCRIPTION	DATE	BY

THE INFORMATION CONTAINED IN THIS DOCUMENT IS PROPRIETARY TO E-SWITCH AND IS NOT TO BE COPIED OR TRANSFERRED



TITLE 700CDP7P60M1QEH

SCALE	DATE	DR	DWG	REV
2:1	11/11/2010	BLR	ST711083	C